

INSTALLATION INSTRUCTIONS

MODELS D1038 AND D1039

FLORENCE MODEL

PASS-THRU

(NO SCREEN)



Counter by Others



2503 E. Vernon Avenue, Los Angeles, CA 90058-1826



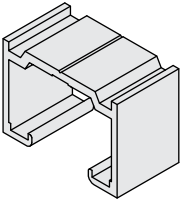

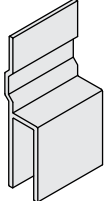
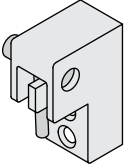
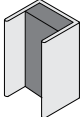
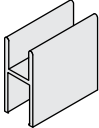
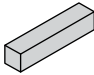
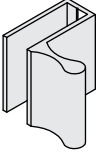
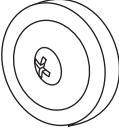
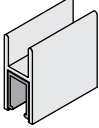
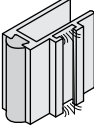
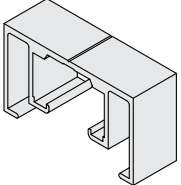
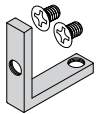
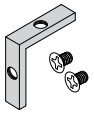
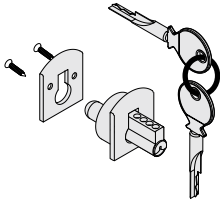

Phone: (800) 421-6144 Fax: (800) 262-3299

crlaurence.com Email: transaction@crlaurence.com

11M0225

PARTS LIST

NOTE: Counter by Others

<p>D1038</p>  <p>Florence with D7 Overhead Track (No Screen)</p>		<p>D1039</p>  <p>Florence with D1670 Overhead Track (No Screen)</p>	
<p>D7</p>  <p>Overhead Track</p>	<p>D35</p>  <p>Retractable Tip Lower Guide</p>	<p>D40</p>  <p>Sliding Window Hanger</p>	<p>D53</p>  <p>Reversible Overhead Catch</p>
<p>D606</p>  <p>Single Jamb with Cushion</p>	<p>D610</p>  <p>H-Bar</p>	<p>D637</p>  <p>Mill Bar Stock</p>	<p>D639</p>  <p>Vertical Stile Pull</p>
<p>D679</p>  <p>Nylon Ball Bearing Roller</p>	<p>D1611</p>  <p>H-Bar with Plastic Liner</p>	<p>D1623</p>  <p>Overlap Stile with Pile</p>	<p>D1670</p>  <p>Oversized Overhead Track</p>
<p>D658WS</p>  <p>Lower Frame Corner with Nylok Screws</p>	<p>D662WS</p>  <p>Upper Frame Corner with Nylok Screws</p>	 <p>Optional Keyed Lock</p>	 <p>Not Included : Perimeter Fasteners, Bar Stock Fasteners</p>

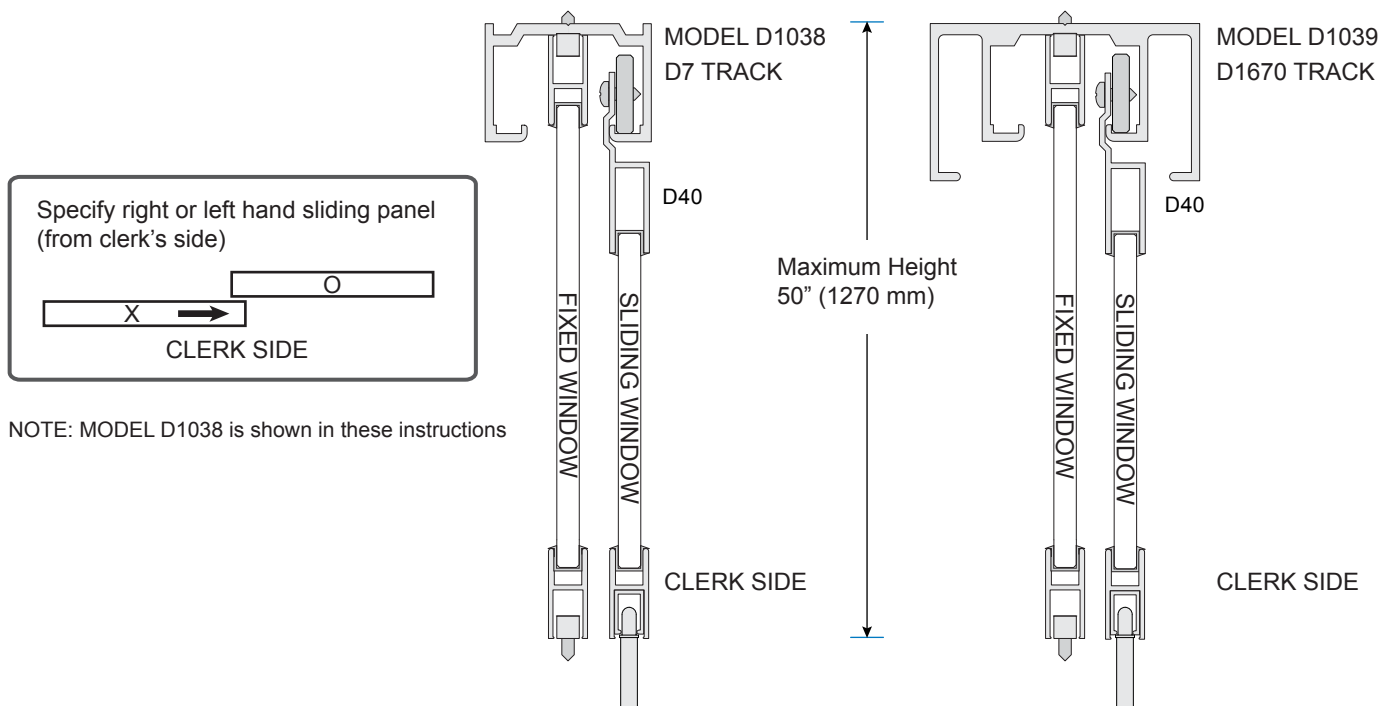
ORDER OF ASSEMBLY AND INSTALLATION

PARTS LIST	2
SPECIFICATIONS	3
GLASS FABRICATION	4
WINDOW ASSEMBLY	4-5
Install Gasket on Glass	4
Fit Glass in Bottom Rail	5
Loosely attach Top Rail to Side Rails	5
Square frames and secure	5
Install Gasket in D1623	5
INSTALLATION	6-9
Install Overhead Track	6
Hang Sliding Window	6
Install Retractable Guides	7
Install Jambs	7
Install Fixed Window	8
Install D53 Catch	9
OPTIONAL KEYED LOCK OPERATION	10

IMPORTANT: READ THIS MANUAL THOROUGHLY BEFORE BEGINNING INSTALLATION.

SPECIFICATIONS

NOTE: Model D1039 is designed to match storefront subframe.



GLASS FABRICATION

Fixed Glass Width = Window Width divided by 2 minus 1" (25 mm)

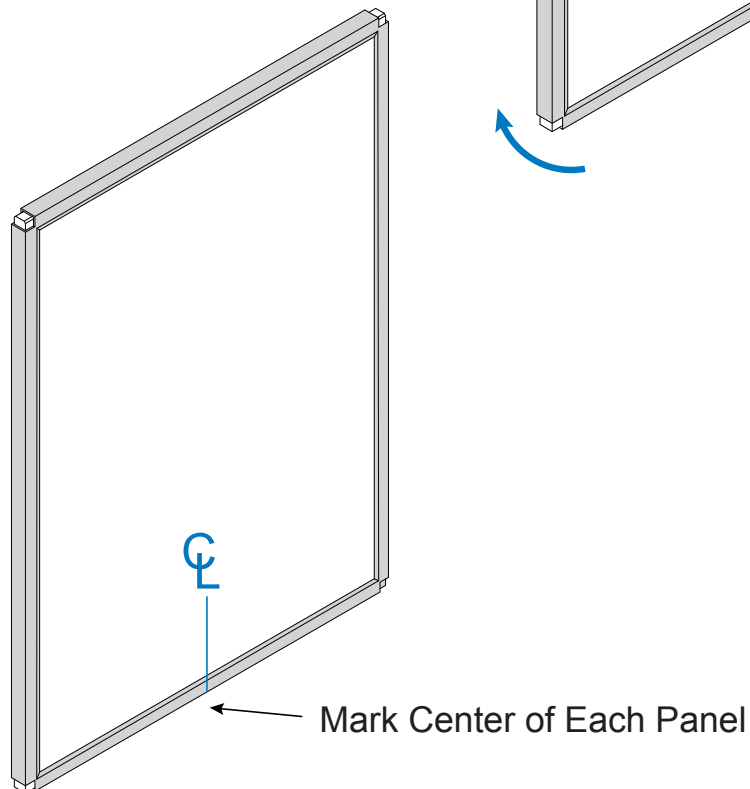
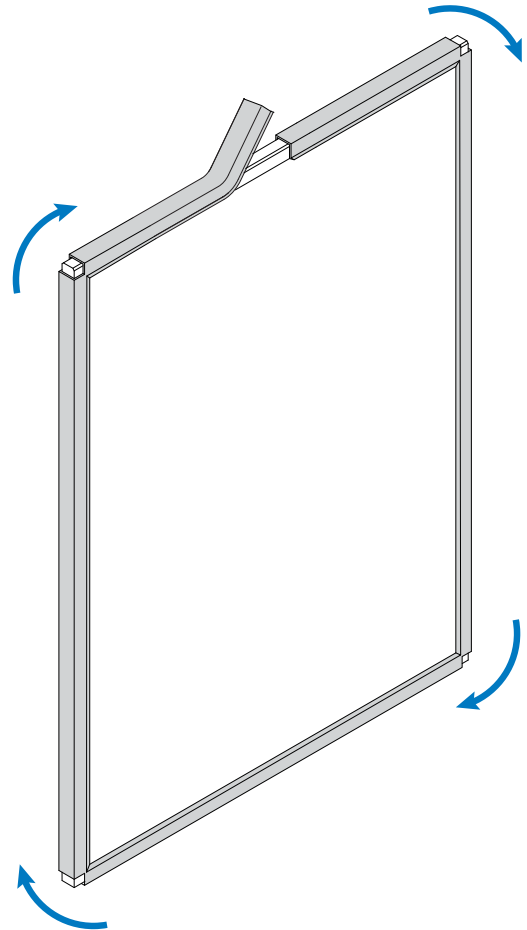
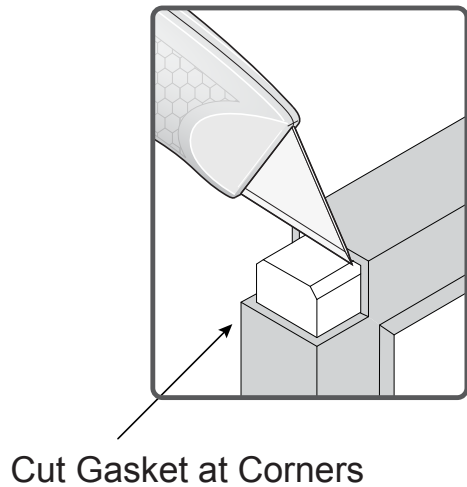
Fixed Glass Height = Window Height minus 1-11/16" (43 mm)

Sliding Glass Width = Window Width divided by 2 minus 1-1/4" (32 mm)

Sliding Glass Height = Window Height minus 3-3/16" (81 mm)

WINDOW ASSEMBLY

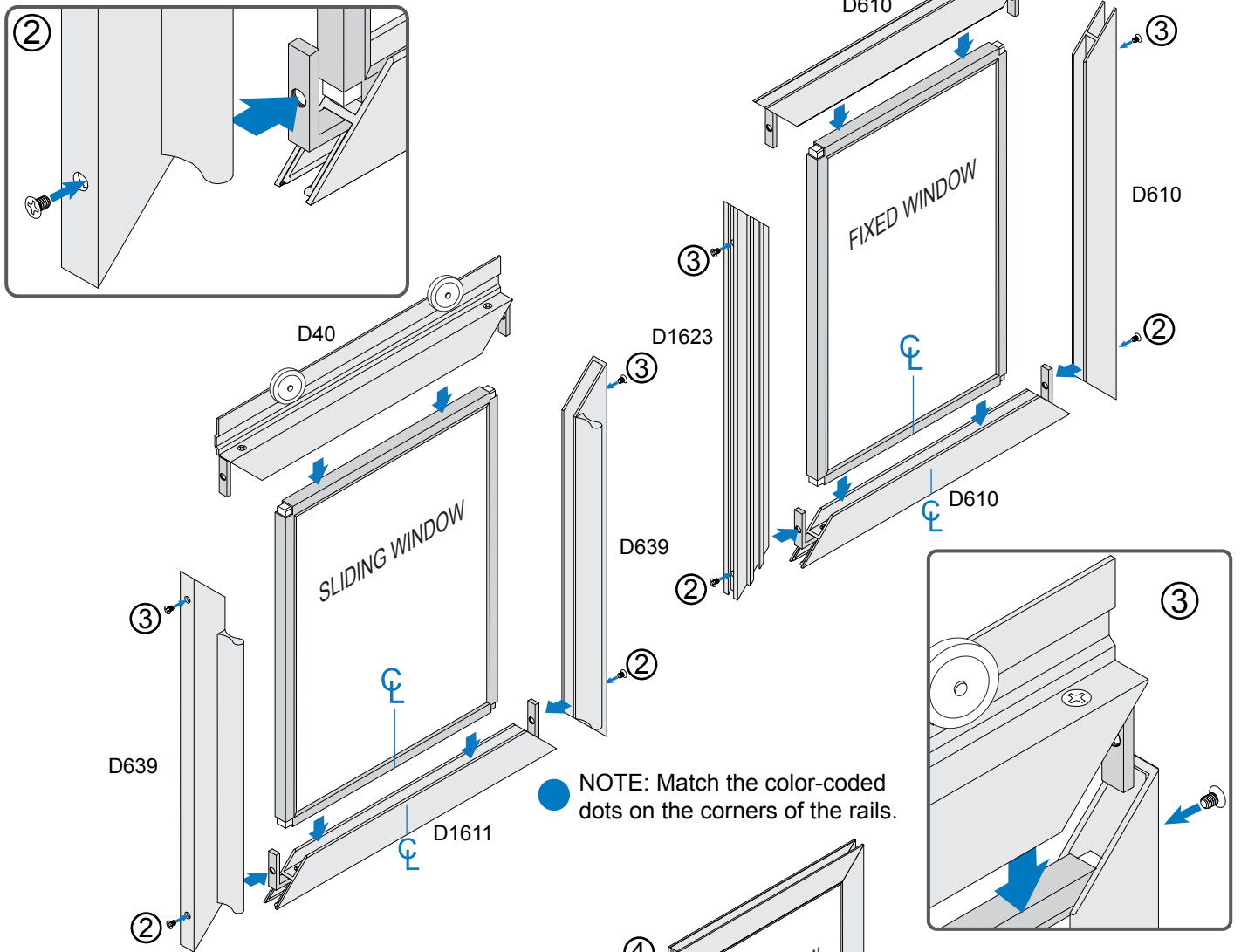
1. Install Gasket on Glass



WINDOW ASSEMBLY (CONTINUED)

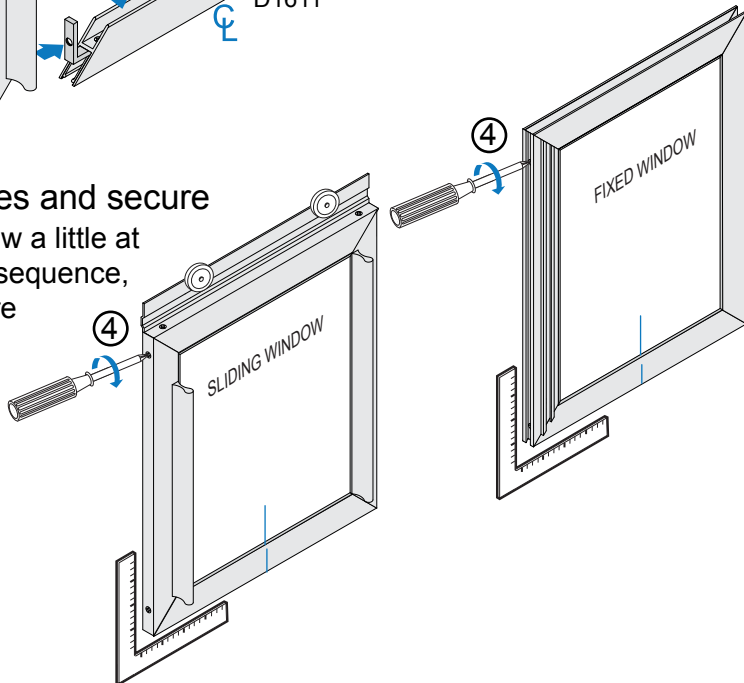
2. Fit Glass in Bottom Rail matching center marks and loosely attach Side Rails

3. Loosely attach Top Rail to Side Rails

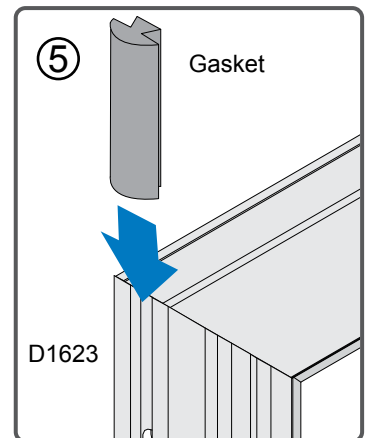


4. Square frames and secure

Tighten each screw a little at a time in rotating sequence, maintaining square condition.



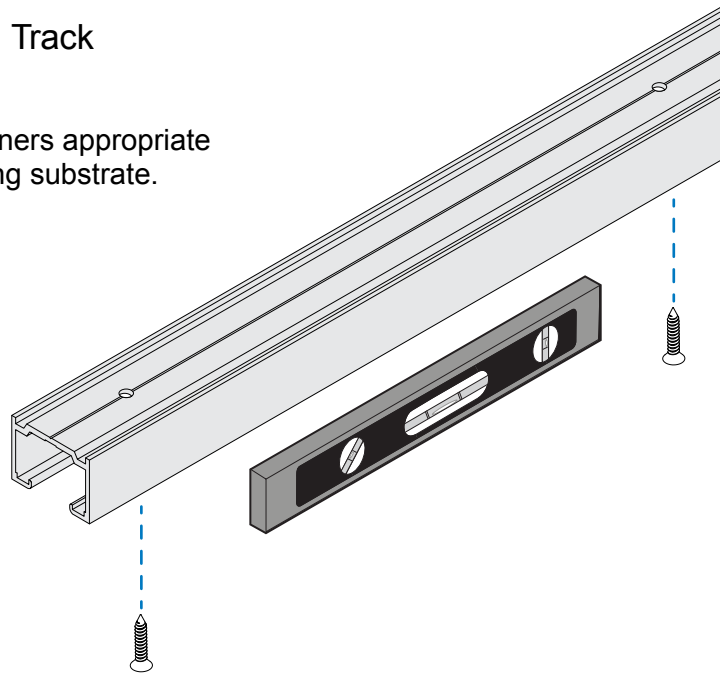
5. Install Gasket in D1623



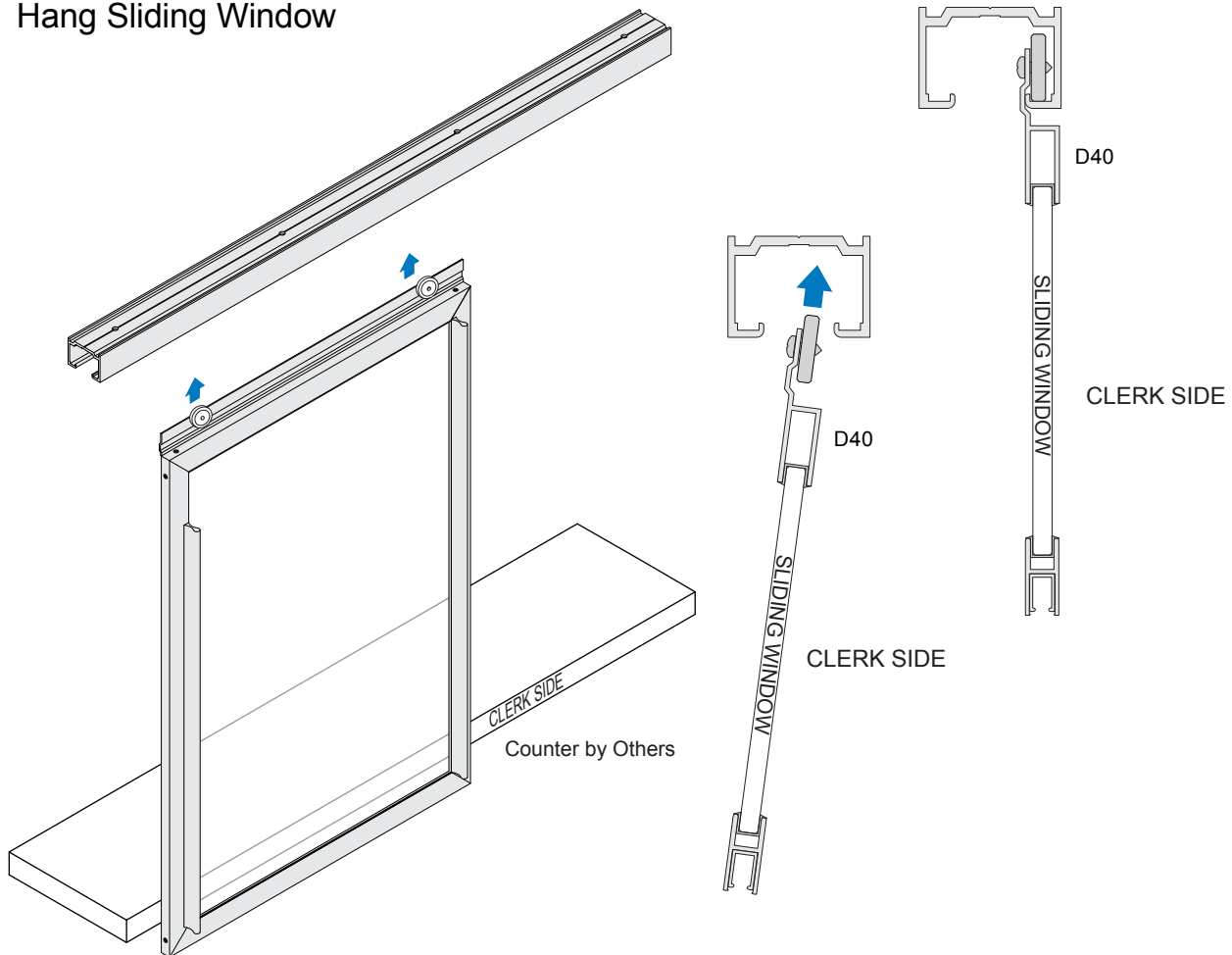
INSTALLATION

1. Install Overhead Track

NOTE: Use fasteners appropriate for the surrounding substrate.

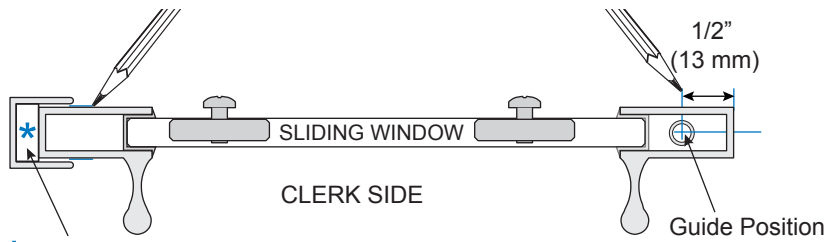


2. Hang Sliding Window

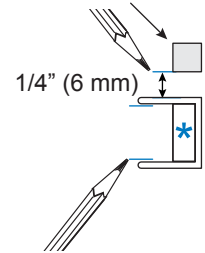


INSTALLATION (CONTINUED)

With the window in closed position, mark placement for the Jamb and Retractable Guide. Move the window to the open position to mark placement for the Jamb and Fixed Window Bar Stock. Remove the window to install.

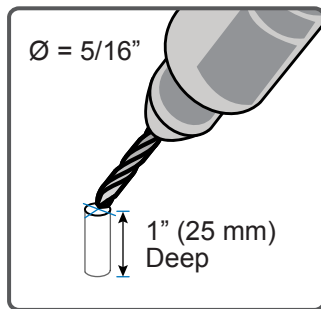


Bar Stock Position

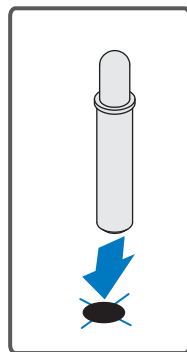


* Temporarily place Rubber Insert into Jamb to mark Guide placement. Remove to install Jamb. Do Not remove backing until Jamb are secured.

3. Install Retractable Guides

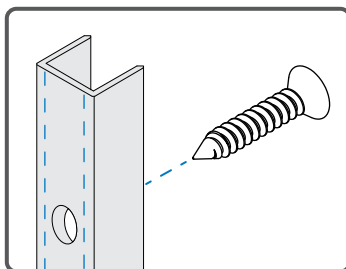


Drill 1" (25 mm) depth hole with 5/16" drill bit.

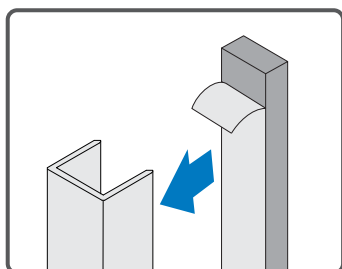


Insert Guide in hole.

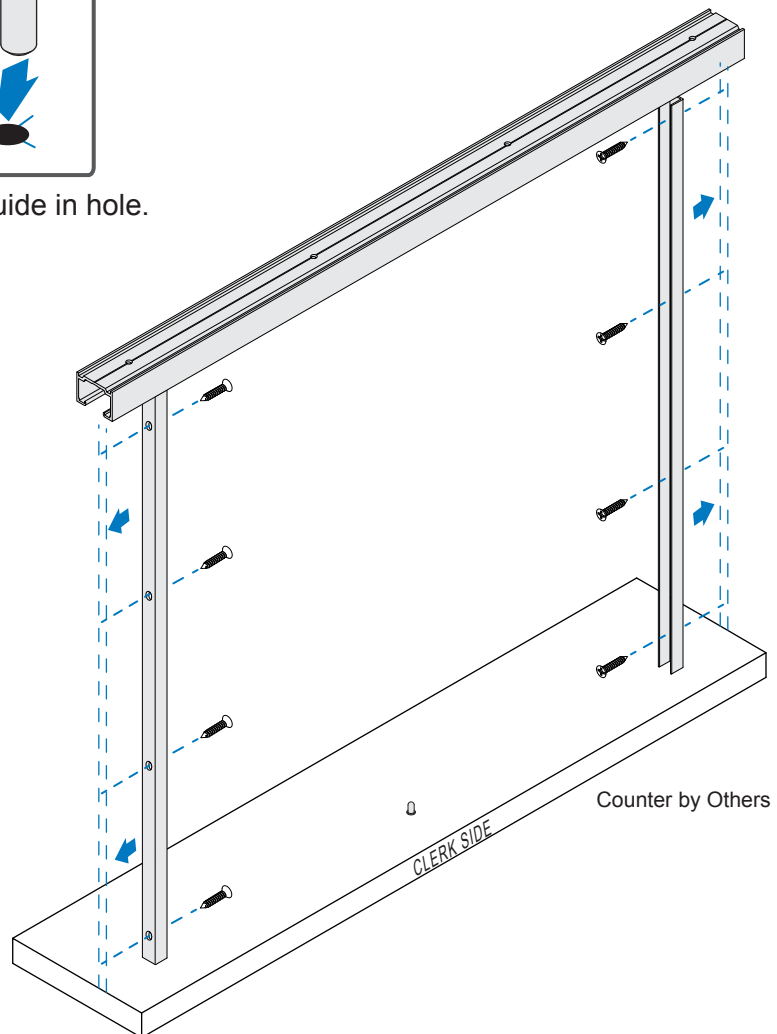
4. Install Jamb



Secure using fasteners appropriate for the surrounding substrate.

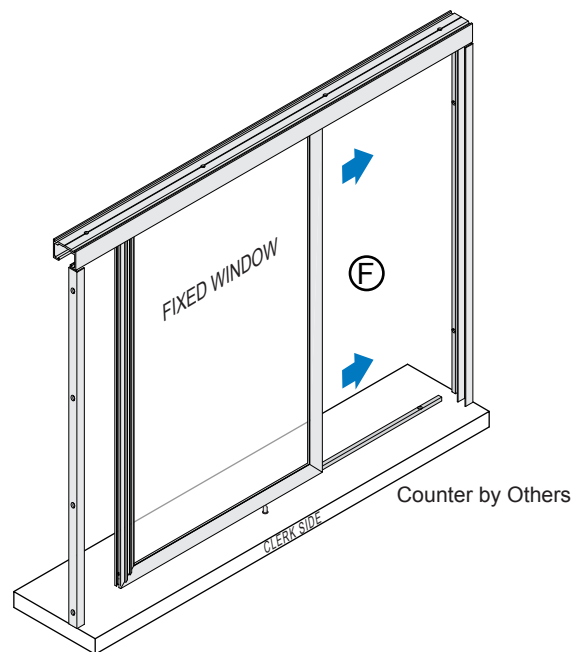
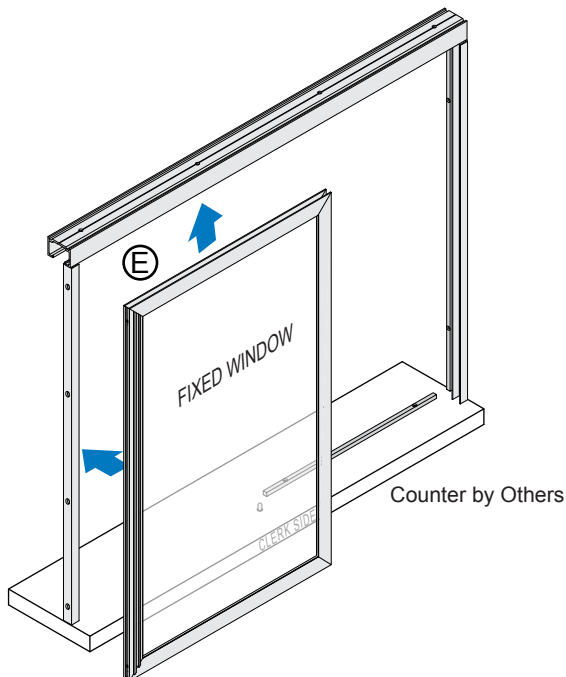
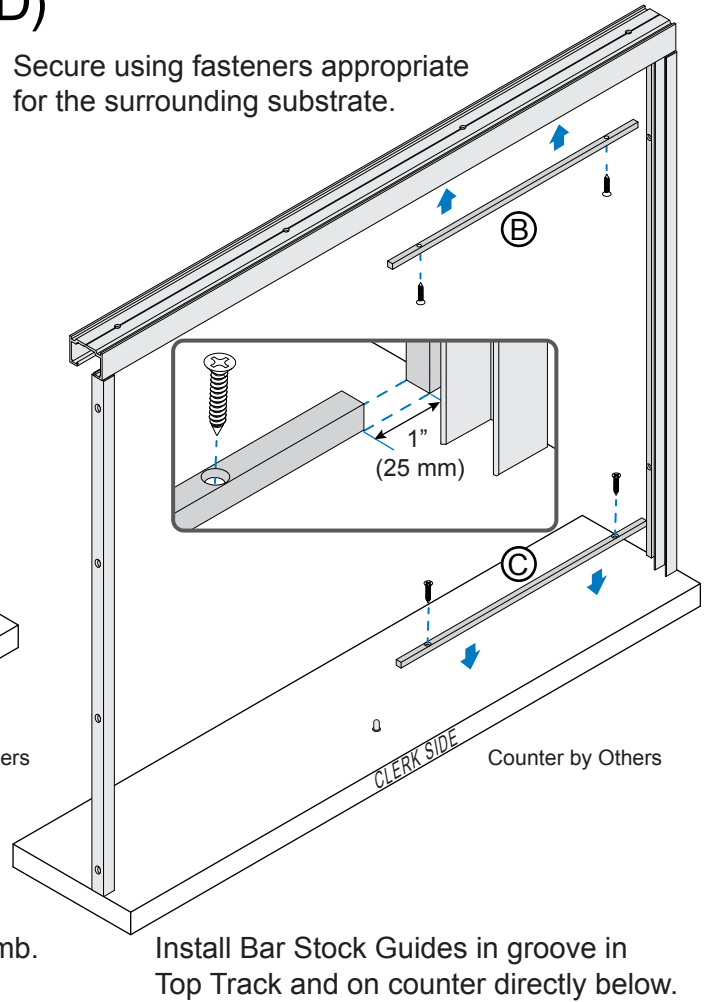
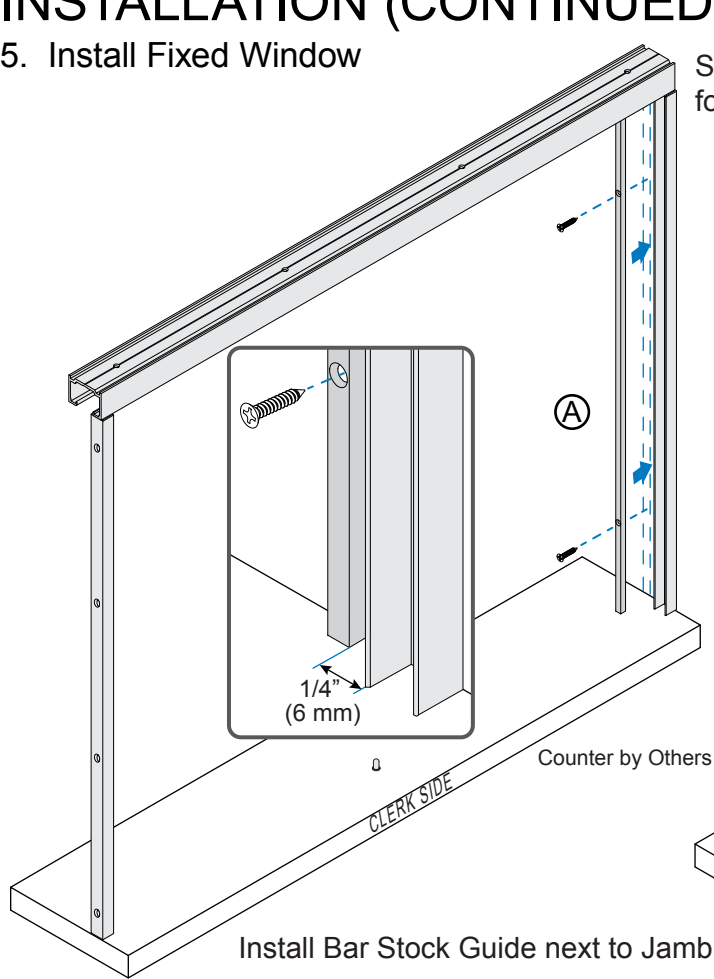


Remove backing and install rubber insert.



INSTALLATION (CONTINUED)

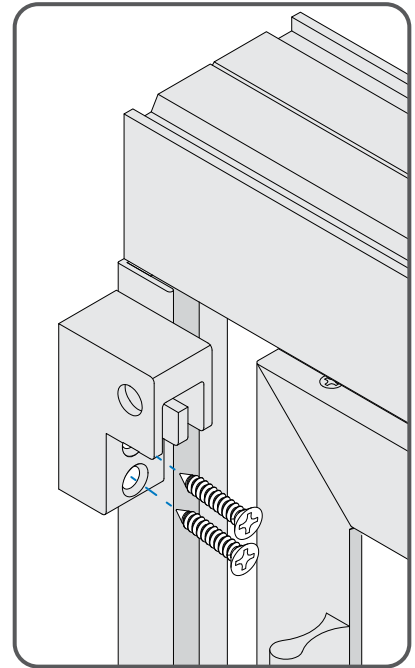
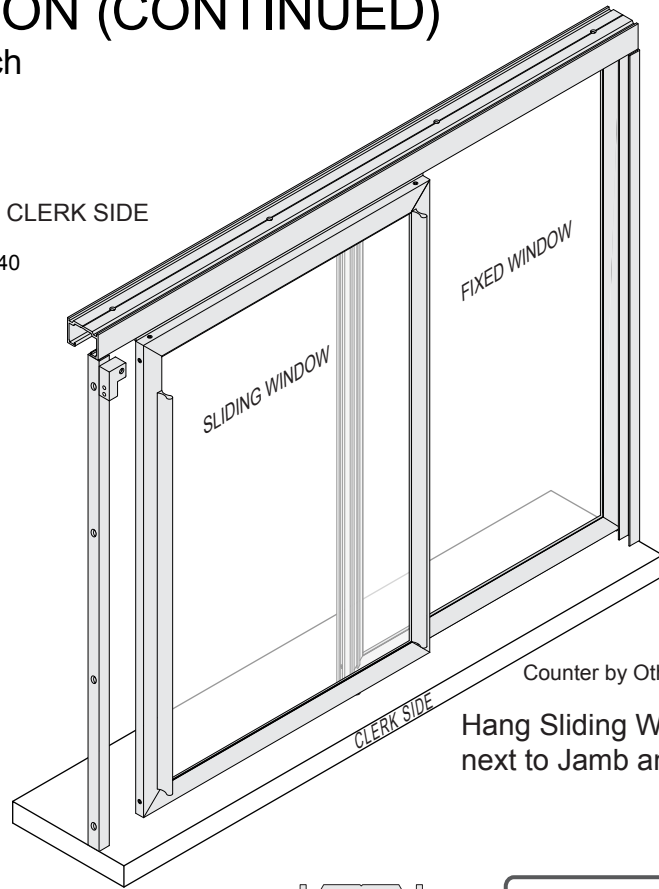
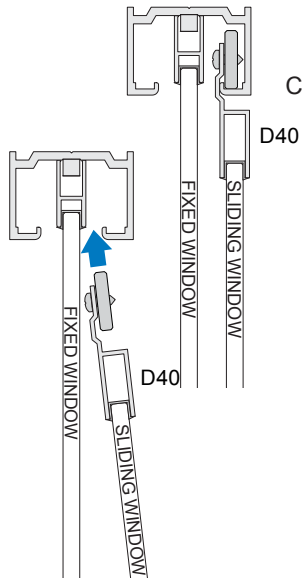
5. Install Fixed Window



Fit Fixed Window into Track, aligning edges with Bar Stock Guides. Slide into place.
 NOTE: If Fixed Panel is too loose, apply silicone sealant to top of lower Bar Stock.

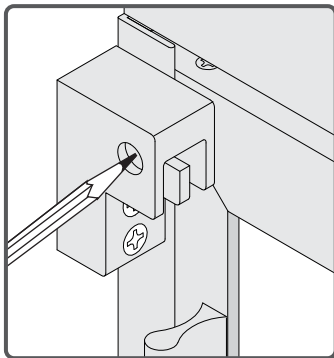
INSTALLATION (CONTINUED)

6. Install D53 Catch

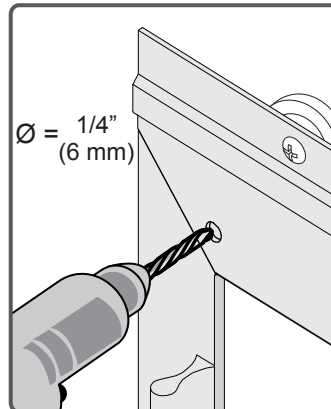
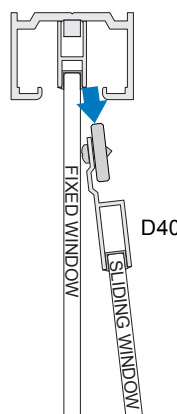


Counter by Others

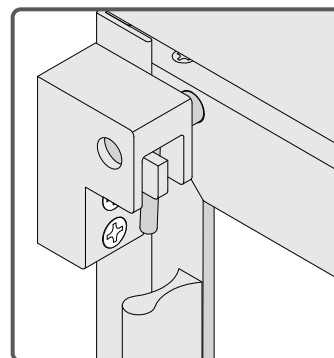
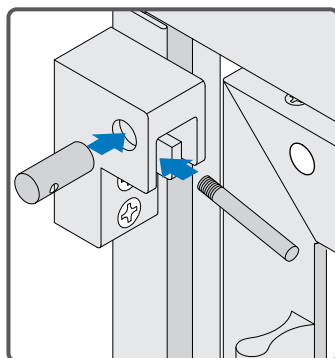
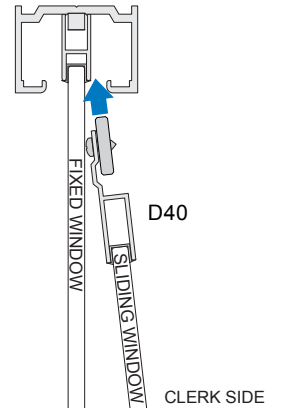
Hang Sliding Window. Place the D53 Catch Base next to Jamb and align with top of Sliding Window.



Close window and mark.

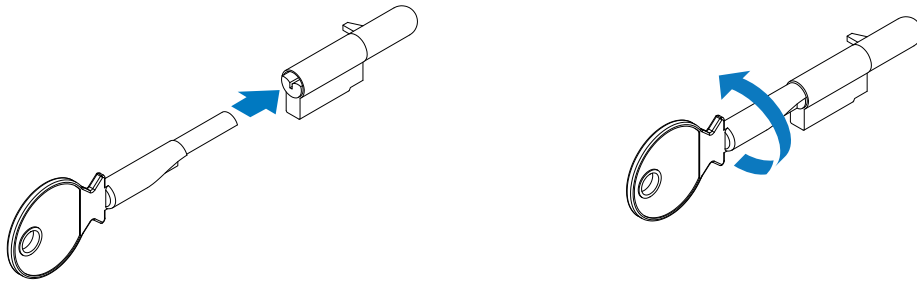


Remove window to drill 1/4" (6 mm) hole, and then reinstall.

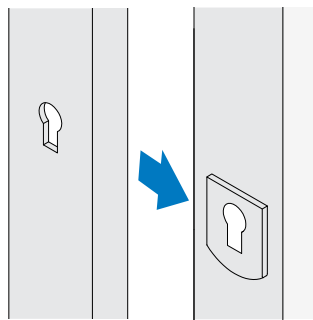


Assemble D53 Catch and close window to check.

OPTIONAL KEYED LOCK OPERATION

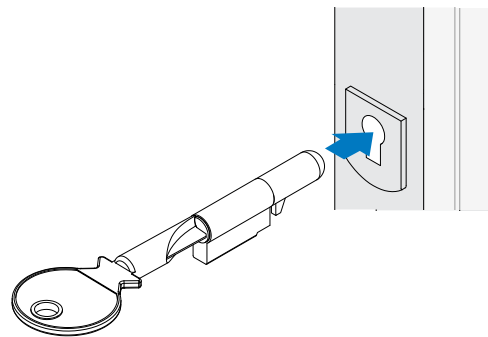


Insert Key into Lock Cylinder and turn to unlock.

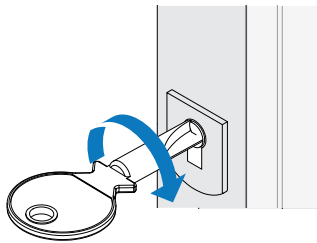


Sliding Frame Jamb

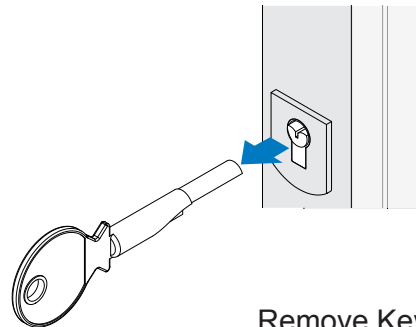
Align Sliding Frame and Jamb.



Insert Key and Cylinder.



Turn to locked position.



Remove Key.